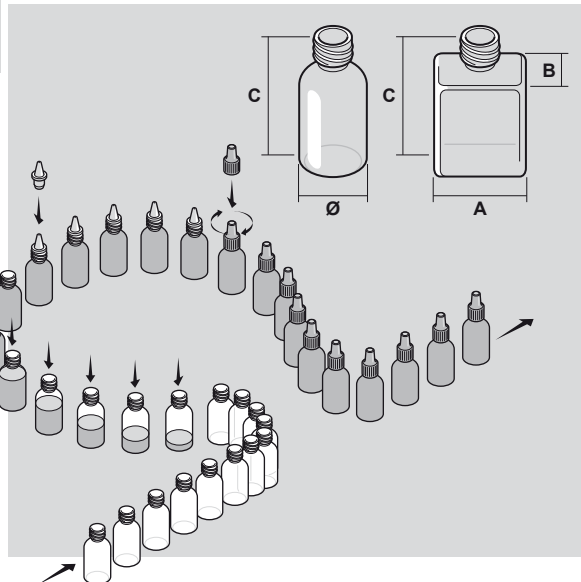
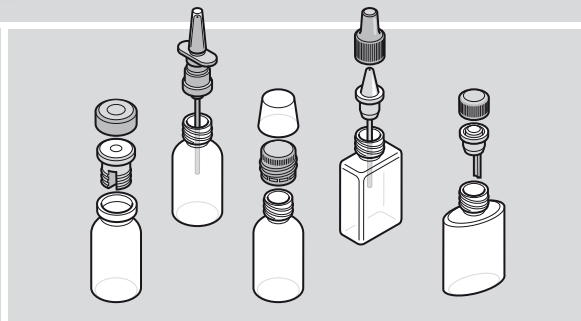
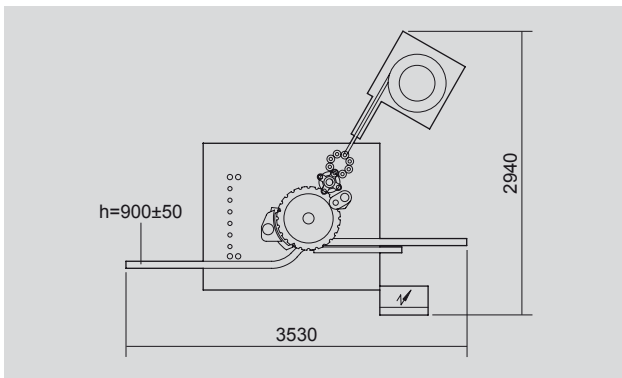
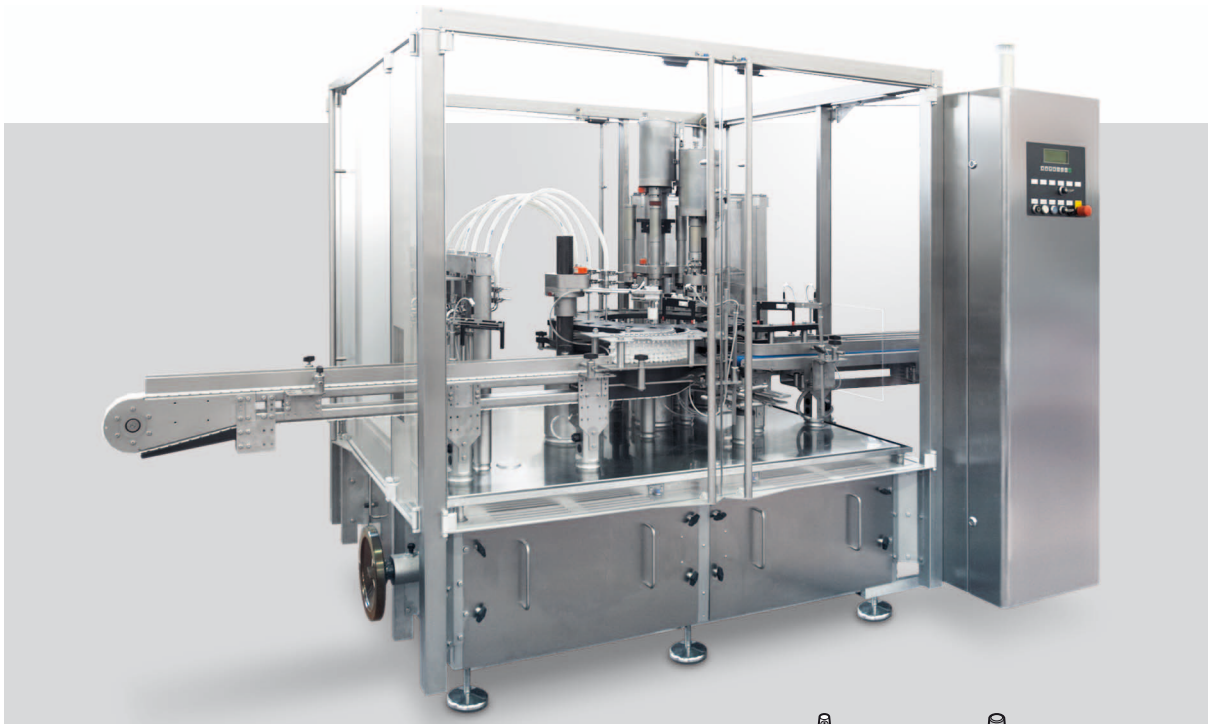


LA



Intermittent motion liquid filling and capping monobloc



TECHNICAL DATA

Mechanical speed	STROKES/1'	20+80
Power absorption	KW	4,5
Air consumption	NI/1'	200
Air pressure	bar	5+6
Gross weight	kg	~1950
Net weight	kg	~1400
Size range	min.	max.
A	20	70
B	15	80
Ø	15	80
C	35	180