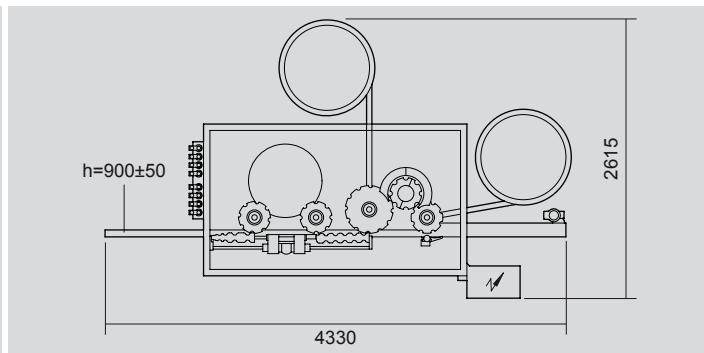
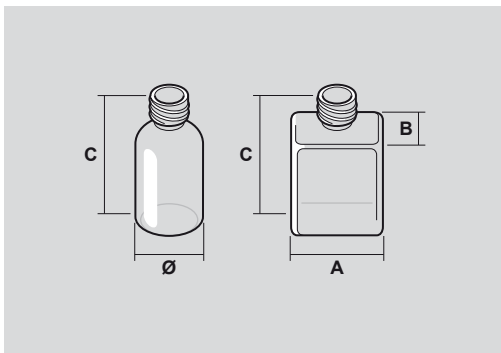


L60

Continuous motion liquid filling and capping monobloc



TECHNICAL DATA

Mechanical speed	STROKES/1'	50+300
Power absorption (max.)	KW	3,5
Air consumption	NI/1'	0 - 20
Air pressure	bar	5+6
Gross weight	kg	~1950
Net weight	kg	~1400
Size range	min.	max.
A	20	50
B	15	70
Ø	15	70
C	35	180

