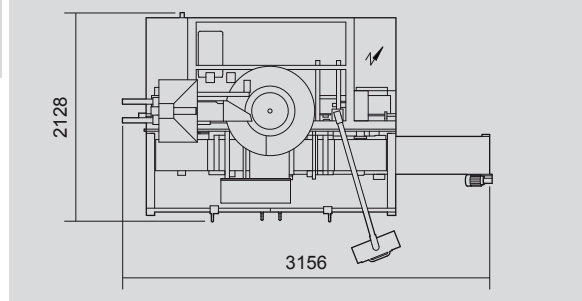
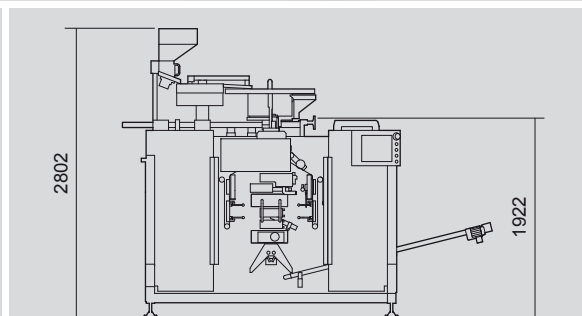
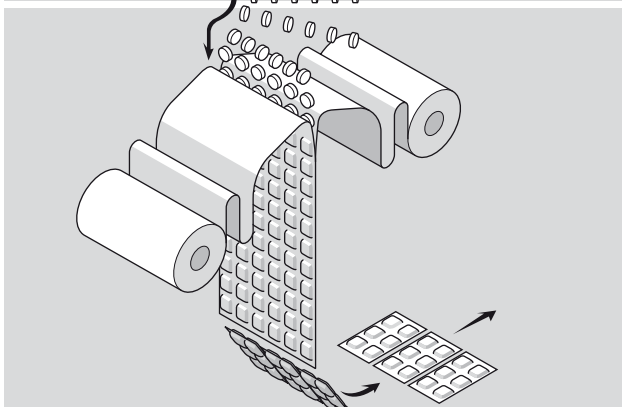
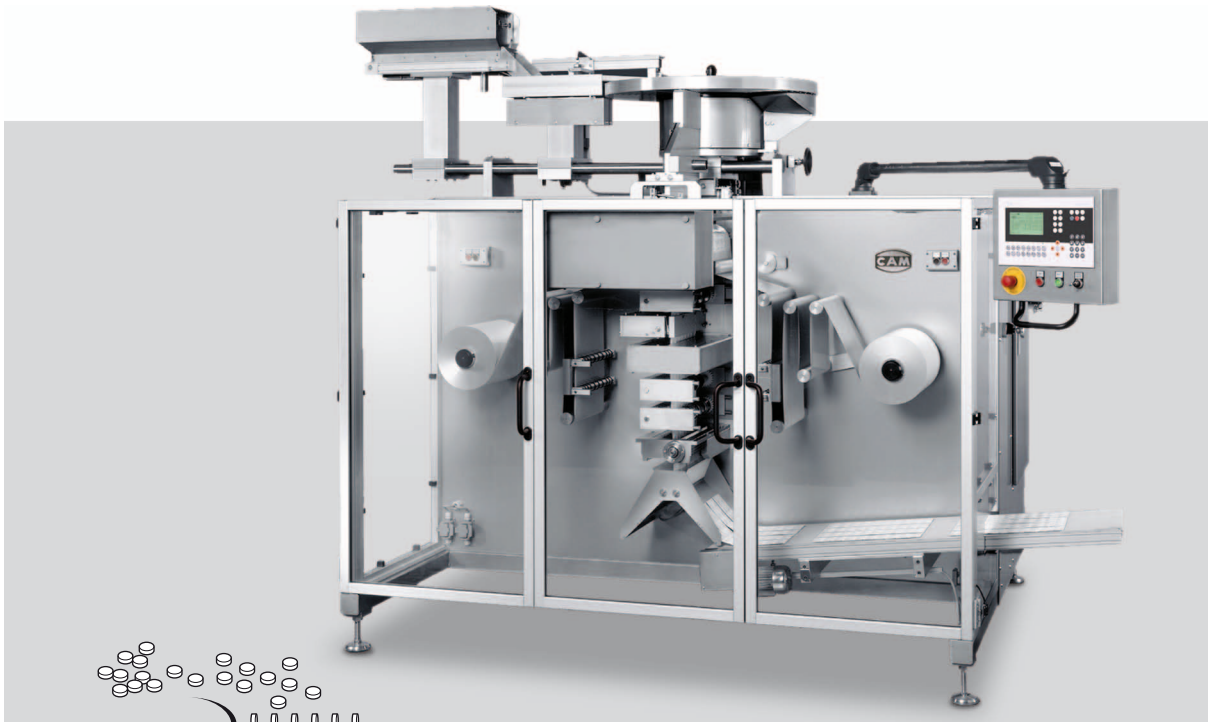


5000/360

High speed strip packaging vertical machine



TECHNICAL DATA

Mechanical speed	STROKES/1'	300 (Depending on package size)
Power absorption (max.)	KW	9,5
Air consumption	NI/1'	160
Air consumption with pneumatic cutter	NI/1'	240
Air pressure	bar	6
Gross weight	kg	~1900
Size range	min.	max.
A	20	360
C	20	Programmable
L (Reel width)	-	360

