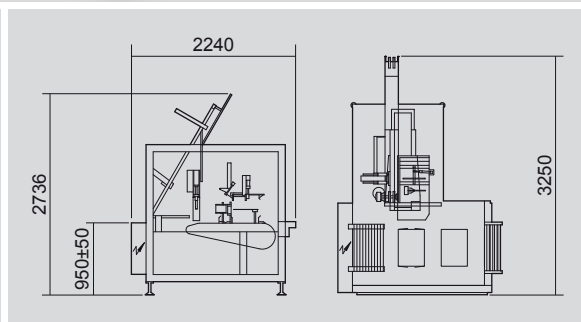
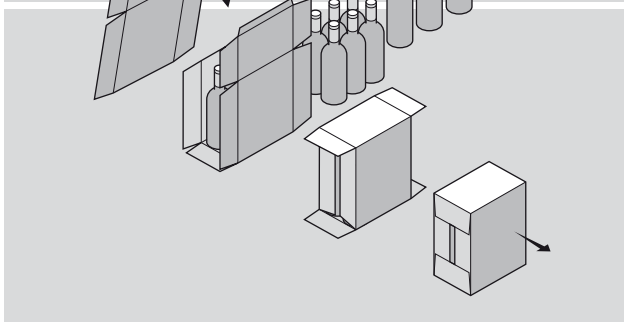
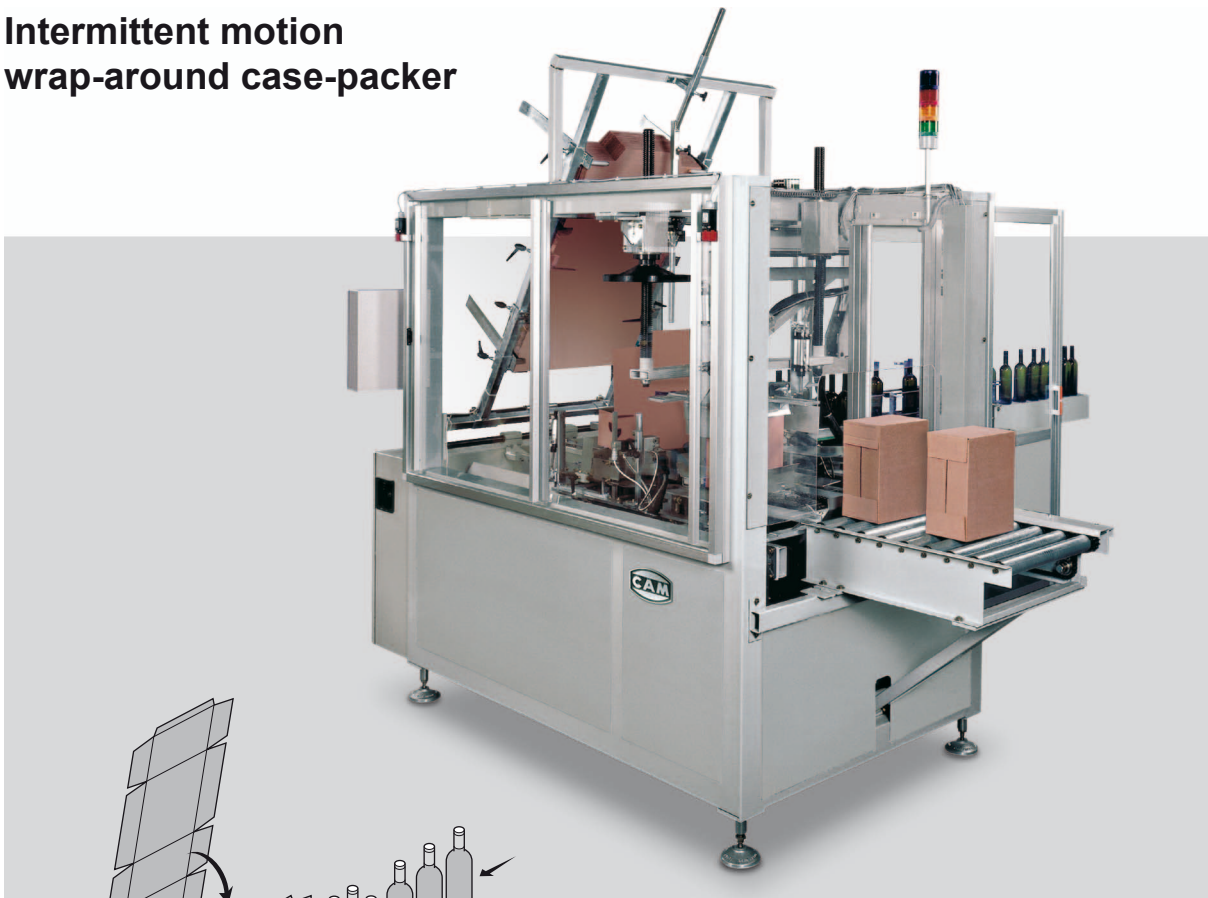


W30

Intermittent motion wrap-around case-packer



TECHNICAL DATA

Mechanical speed	STROKES/1'	10
Power absorption (max.)	KW	8
Air consumption	NI/1'	22
Air pressure	bar	6
Gross weight	kg	~1350
Net weight	kg	~1200
Size range		
	min.	max.
A	100	360
B	70	360
C	190	500
H	40	360

