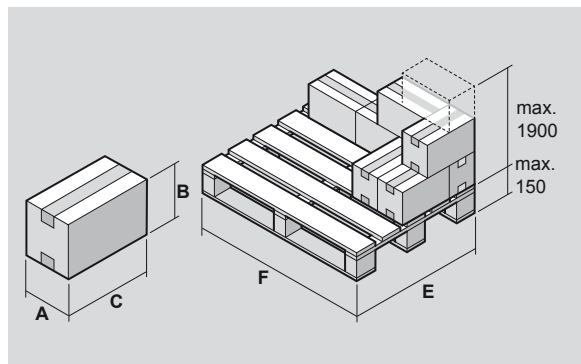
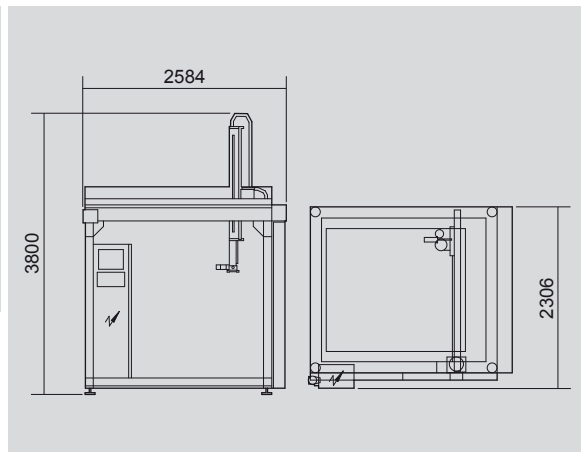
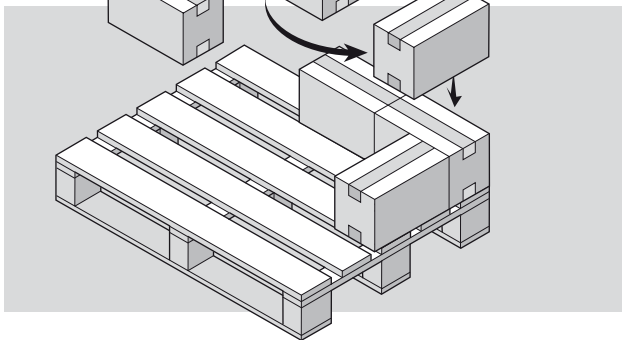
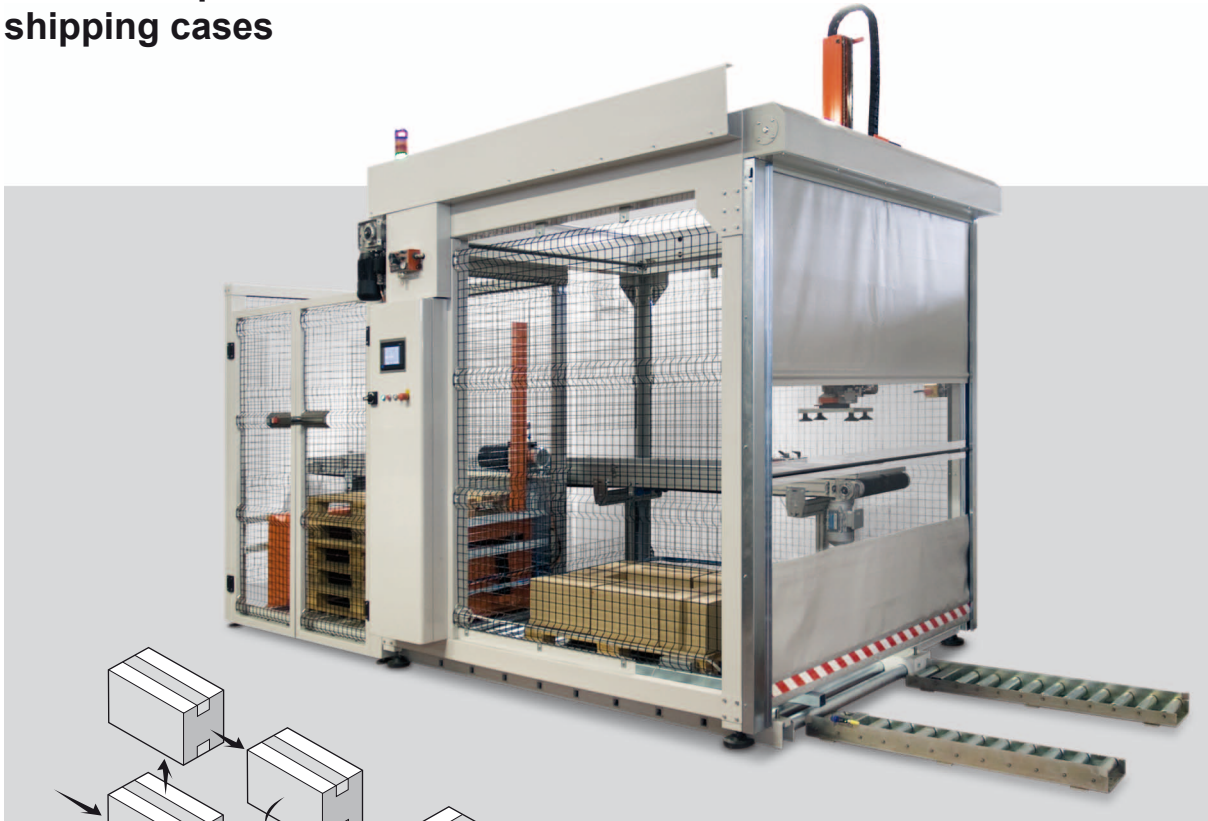


ZP EASY

Automatic palletizer for shipping cases



TECHNICAL DATA

Mechanical speed	STROKES/1'	max. 12
Power absorption (max.)	KW	2
Air consumption	NI/Cycle	5
Air pressure	bar	6
Gross weight	kg	~1250
Net weight	kg	~750
Size range	min.	max.
A	120	600
B	12	500
C	120	600
E	-	1016
F	-	1219