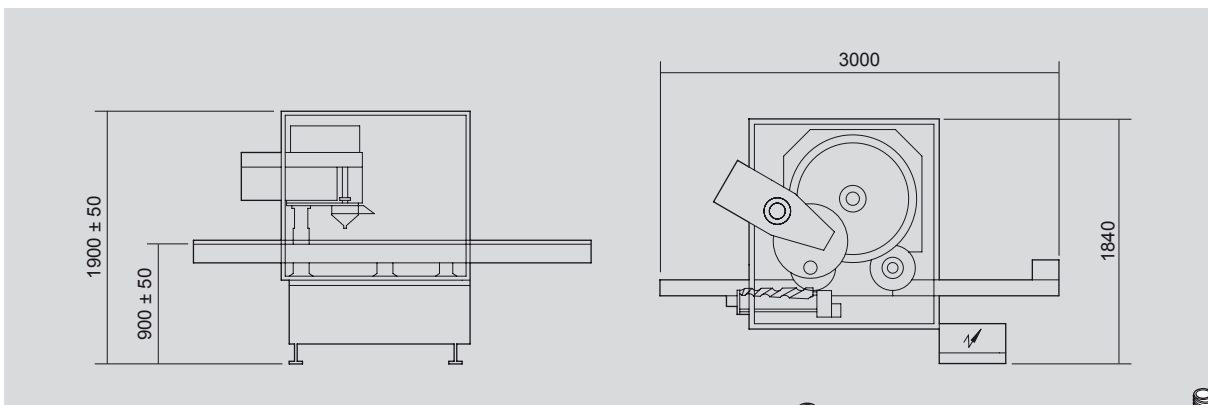


D100

Continuous motion powder dosing machine



TECHNICAL DATA

Mechanical speed	STROKES/1'	200
Power absorption	KW	~3
Net weight	kg	150
Size range	min.	max.
Doses ml	5	75
Ø	15	65
c	35	150

