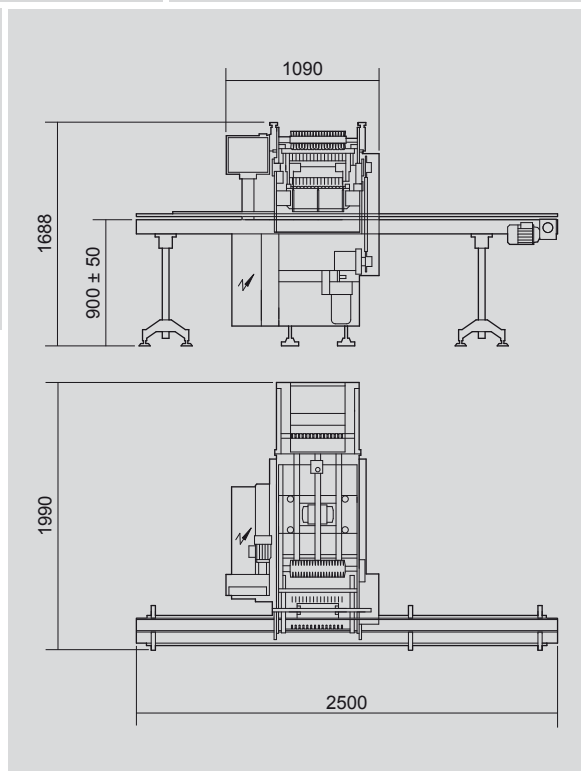
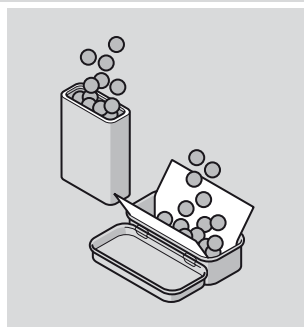
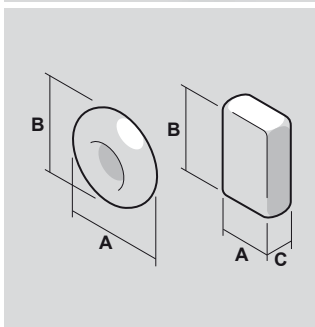
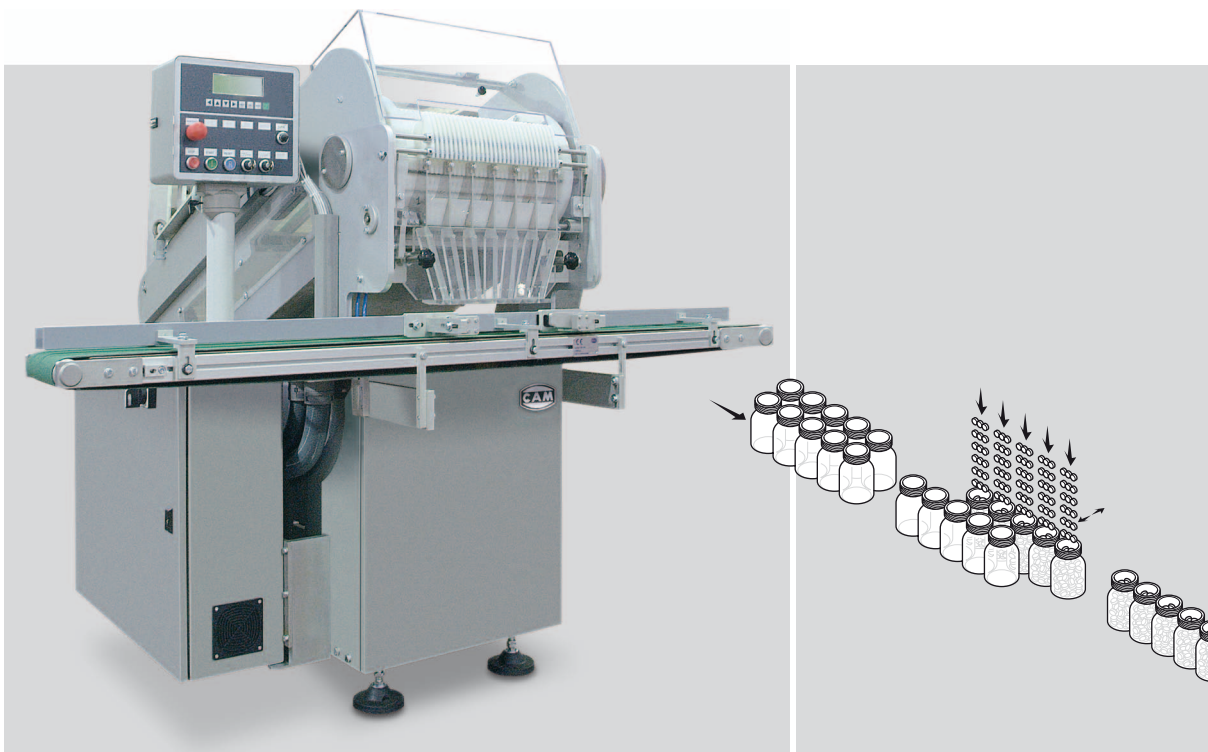


# CM

## Slat-type counting machine



TECHNICAL DATA		CM 30	CM 45
Production up to	<b>TABLETS/1'</b>	6000	9000
Power absorption	<b>KW</b>	2,5 (max.)	2,5 (max.)
Air consumption	<b>NI/1'</b>	16,9	16,9
Air pressure	<b>bar</b>	6	6
Gross weight	<b>kg</b>	~700	~1250
Net weight	<b>kg</b>	~600	~830

Size range	CM 30 min.	CM 30 max.	CM 45 min.	CM 45 max.
<b>A</b>	5	20	5	20
<b>B</b>	5	22	5	22
<b>C</b>	2	12	2	12