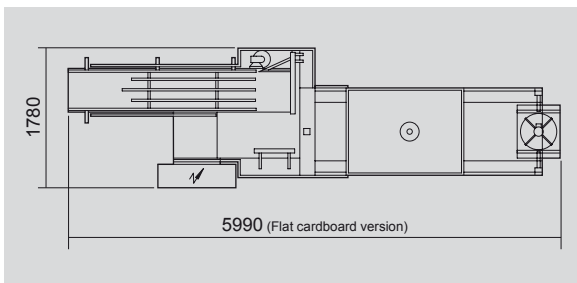
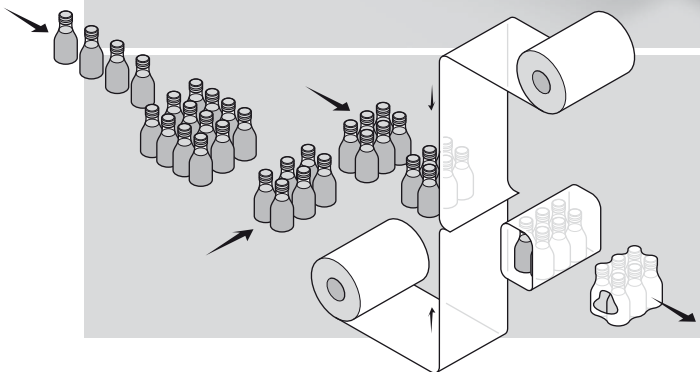
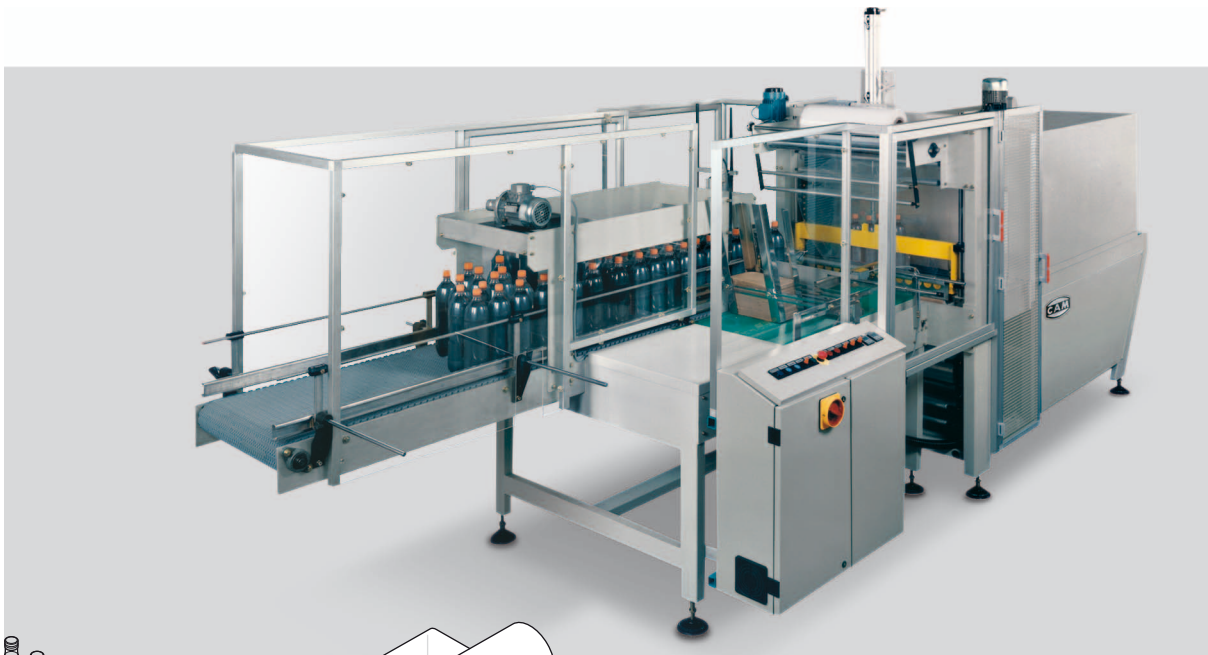


# NV750

## Intermittent motion automatic bundler with shrink-wrapping



### TECHNICAL DATA

Mechanical speed	<b>STROKES/1'</b>	10÷17
Power absorption	<b>KW</b>	13
Air consumption	<b>NI/1'</b>	13
Air pressure	<b>bar</b>	6
Gross weight	<b>kg</b>	~1250
Net weight	<b>kg</b>	~1100
Size range	<b>min.</b>	<b>max.</b>
<b>A</b>	200	435
<b>B</b>	100	400
<b>C</b>	50	360
<b>H</b>	30	80
<b>A+C</b>	-	700
<b>A+H</b>	230	440
<b>B+H</b>	130	440

