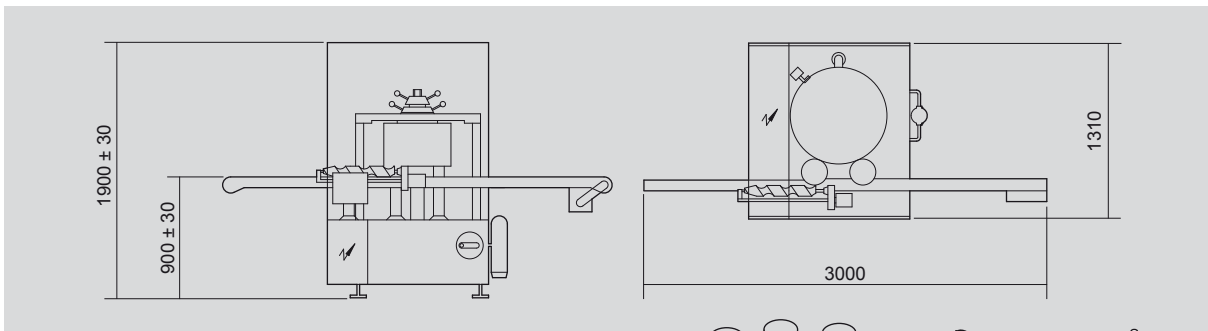


# MT32

## Automatic testing machine for spray cans



### TECHNICAL DATA

Mechanical speed	<b>STROKES/1'</b>	300
Motors	<b>KW</b>	2,2
Power absorption	<b>KW</b>	3
Air consumption	<b>NI/1'</b>	16,6
Air pressure	<b>bar</b>	5+6
Gross weight	<b>kg</b>	~1900
Net weight	<b>kg</b>	~1900
Size range	<b>min.</b>	<b>max.</b>
<b>Ø</b>	20	27
<b>c</b>	45	75

