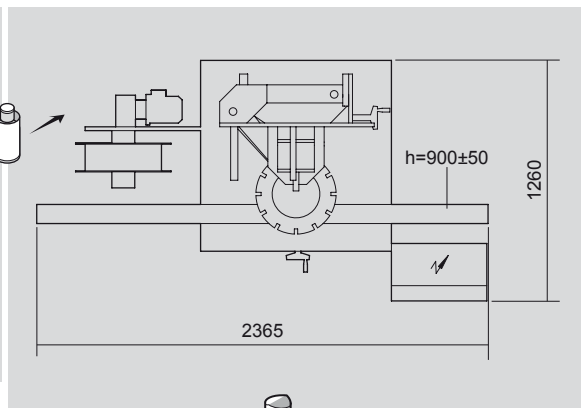
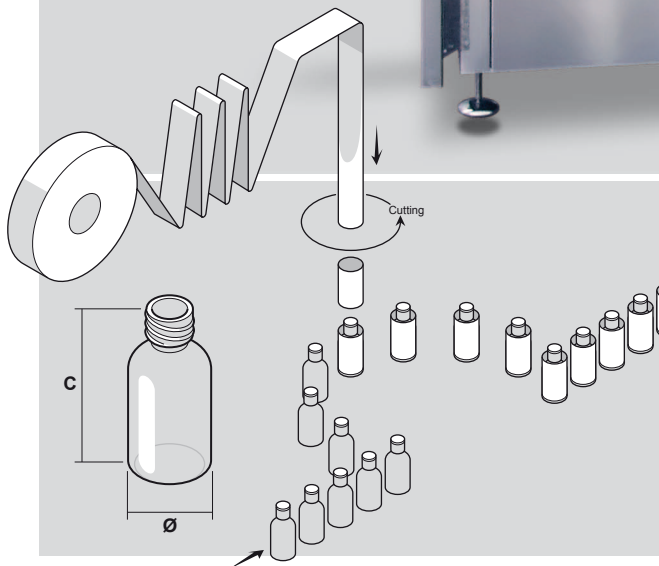
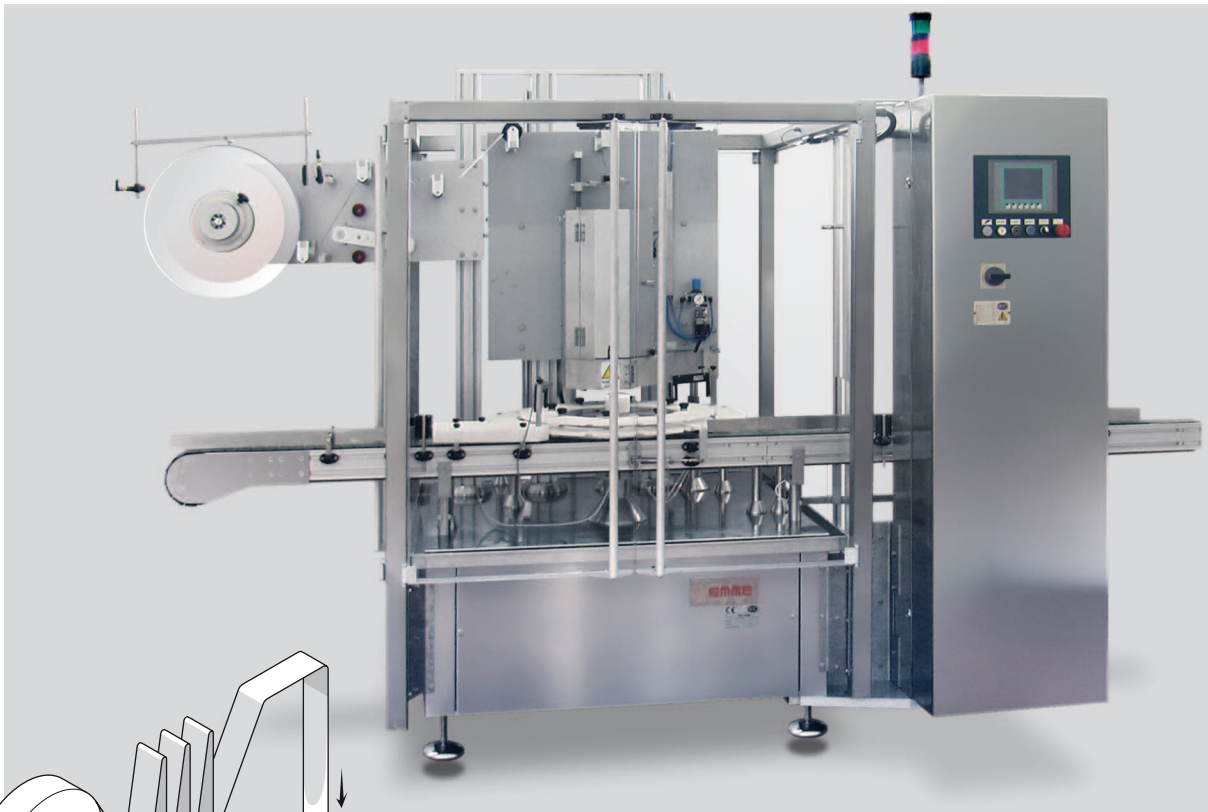


SL4000

Alternate motion shrink-sleeve application system



TECHNICAL DATA

Mechanical speed	STROKES/1'	67
Power absorption	KW	1,1
Size range	min.	max.
Ø	25	100
c	30	300

